

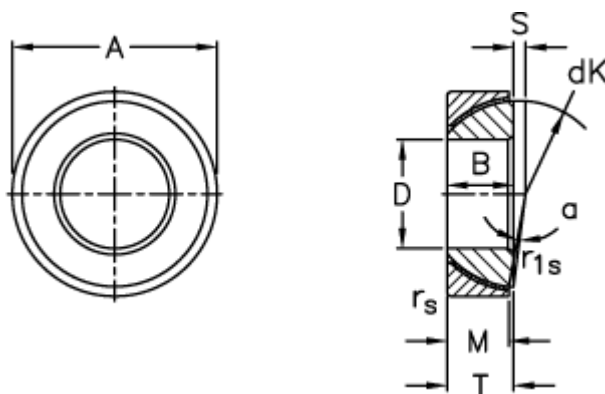
Data Sheet



Article number: 03510060

Description: Fluro Rod end GE 60SW

Measures



A	= 95 0 -0,018	Static load C0 (kN)	= 640
B	= 23	T	= 23 +0,25 -0,50
D	= 60 0 -0,015	Tilt angle	= 2.5
dK	= 88.5	Weight	= 714
Dynamic load C (kN)	= 320		
M	= 21		
rs, r1s min	= 1.1		
S	= 5.7		